

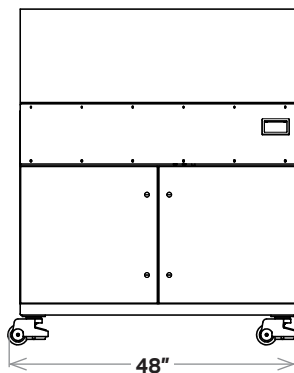
PRODUCT SPECIFICATIONS

Sinter-2

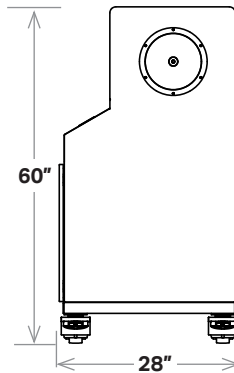
With an expansive active hot zone (19,644 cm³ / 1,199 in³), the Sinter-2 is the perfect solution for mid-volume batch production and for larger parts. Create high-purity metal parts by using sintering technology built with a carbon-free retort. This workhorse furnace is enabled with rapid cooling technology and can process the full range of commercial-grade metals from their washed state into dense metal parts in as few as 30 hours.

Furnace Properties	Materials Supported	Chemically debound Metal X-printed parts	
	Heating Element	Kanthal	
	Controller	Pre-programmed automatic cycling	
	Sinter Run Time	30 hours*	
	Peak Internal Temp.	1,300° C / 2,372° F	
	Sintering Capacity	Rectangle w/radius top — 248 mm ID x 406 mm L (9.8 in ID x 16 in L)	
	Sintering Workload	11,741 cm ³ (716 in ³)	
	Sintering Surface Area	1,644 cm ² (257.9 in ²) for stackable ceramic setter plate	
	Setter Plate Dimensions	Top plate: 24.0cm W x 41.0cm D, (9.4in W x 16.1in D) Bottom plate: 17.0cm W x 41.0cm D, (6.7in W x 16.1in D)	
	Gas Types	Argon, argon / hydrogen mix	
	Retort	High purity refractory retort (carbon-free)	
	Safety & Installation	Environmental Req.	External exhaust (100–150 CFM)
		Power	200–240 V, 3 phase (3 wire), 30 A 346–416 V, 3 phase (4 wire), 30 A
Physical Dimensions	External Dimensions	1,200 x 700 x 1,500 mm (48 x 28 x 60 in)	
	Weight	350 kg (772 lbs)	

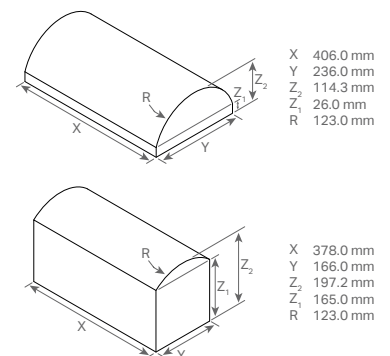
FRONT VIEW



SIDE VIEW



MAX SINTER VOLUME



*May vary by material. **Note:** All specifications are approximate and subject to change without notice.